



**Economic and Social  
Council**

Distr.  
GENERAL

TRANS/WP29/GRSP/2004/27  
21 October 2004

ENGLISH ONLY

---

**ECONOMIC COMMISSION FOR EUROPE**

INLAND TRANSPORT COMMITTEE

World Forum for Harmonization of Vehicle Regulations (WP.29)

Working Party on Passive Safety (GRSP)

(Thirty-sixth session, 7-10 December 2004,  
agenda item B.1.2.)

**DRAFT CORRIGENDUM 2 TO SUPPLEMENT 15 TO THE 04 SERIES  
OF AMENDMENTS TO REGULATION No.16**

(Safety belts)

Submitted by the experts from International Organization of Motor Vehicle Manufacturers (OICA) and  
European Association of Automobile Suppliers (CLEPA)

Note: The document reproduced below was transmitted by the experts from OICA and CLEPA to correct the test fixtures of Regulation No. 16.

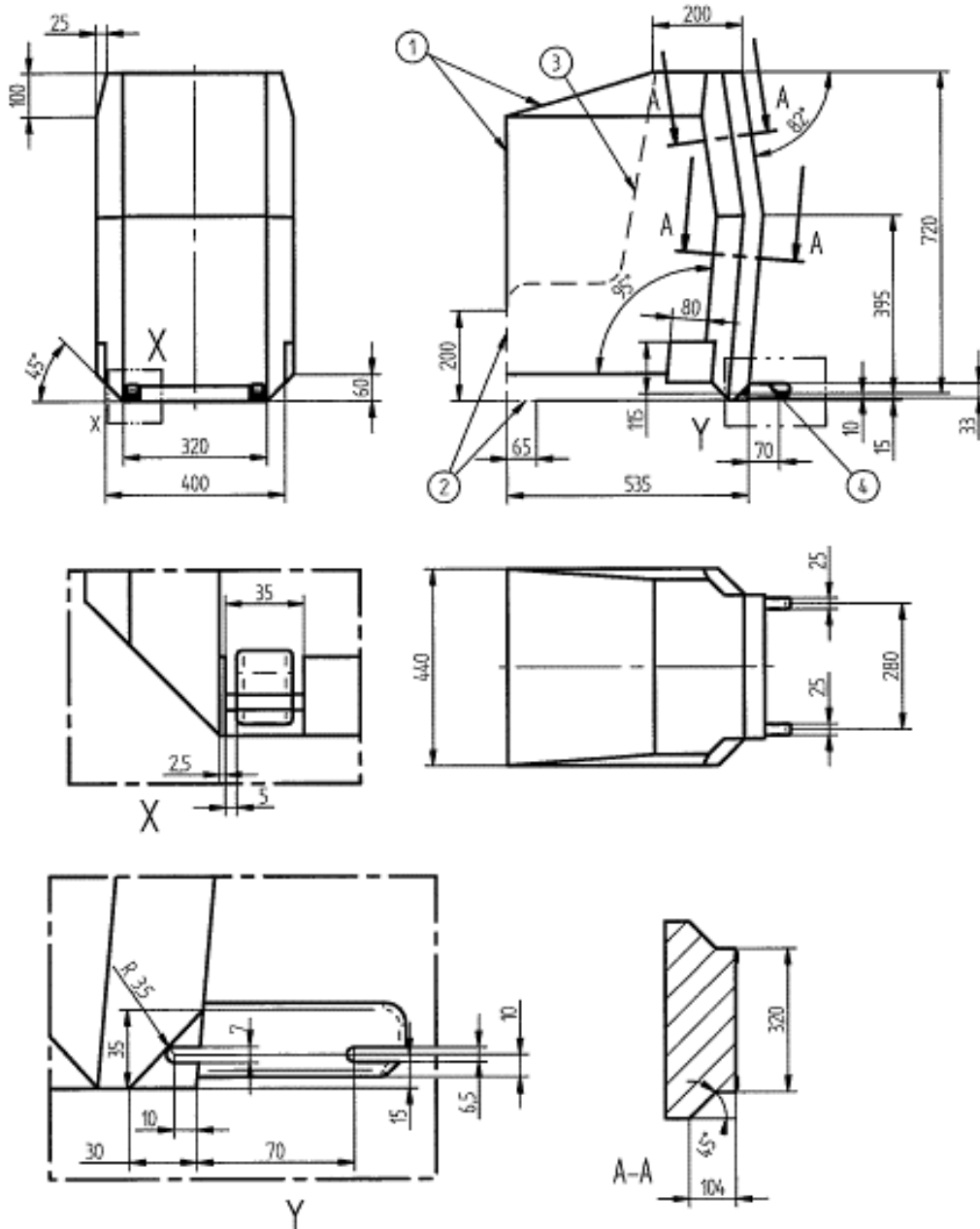
---

Note: This document is distributed to the Experts on Passive Safety only.

**A. PROPOSAL**

Annex 17, paragraphs 4.1.to 4.7., replace by:

"4.1. Full-height forward-facing toddler child restraint systems envelope

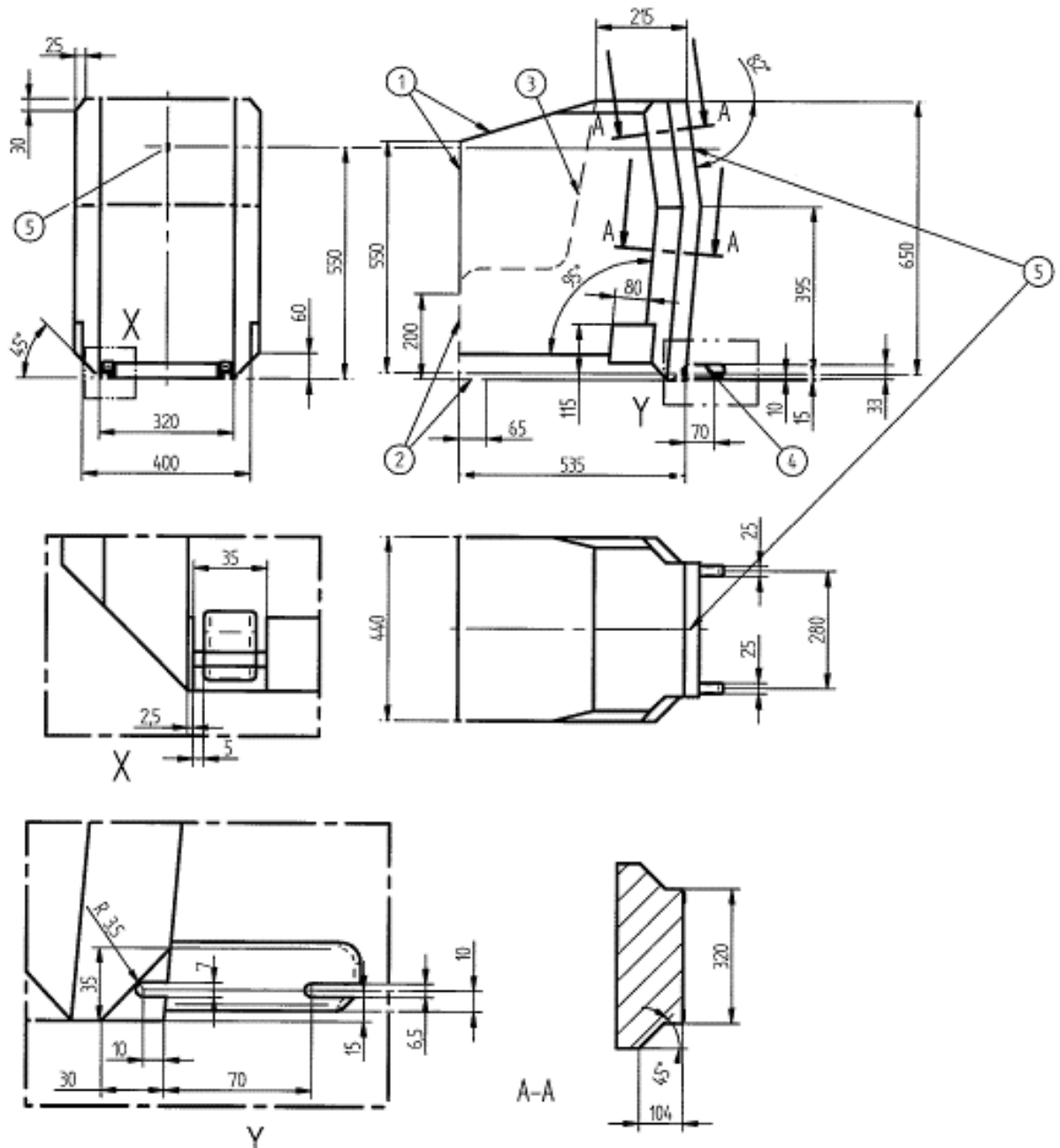


**Key**

- 1 Limits in the forward and upwards directions
- 2 Dashed line marks area where a support leg, or similar, is allowed to protrude
- 3 N/A
- 4 Further specifications of the connector area are given in Regulation No. 44

**Figure 1** – ISO/F3 envelope dimensions for a full-height forward-facing toddler CRS (height 720 mm) - ISOFIX SIZE CLASS A

4.2. Reduced-height forward-facing toddler child restraint systems envelope

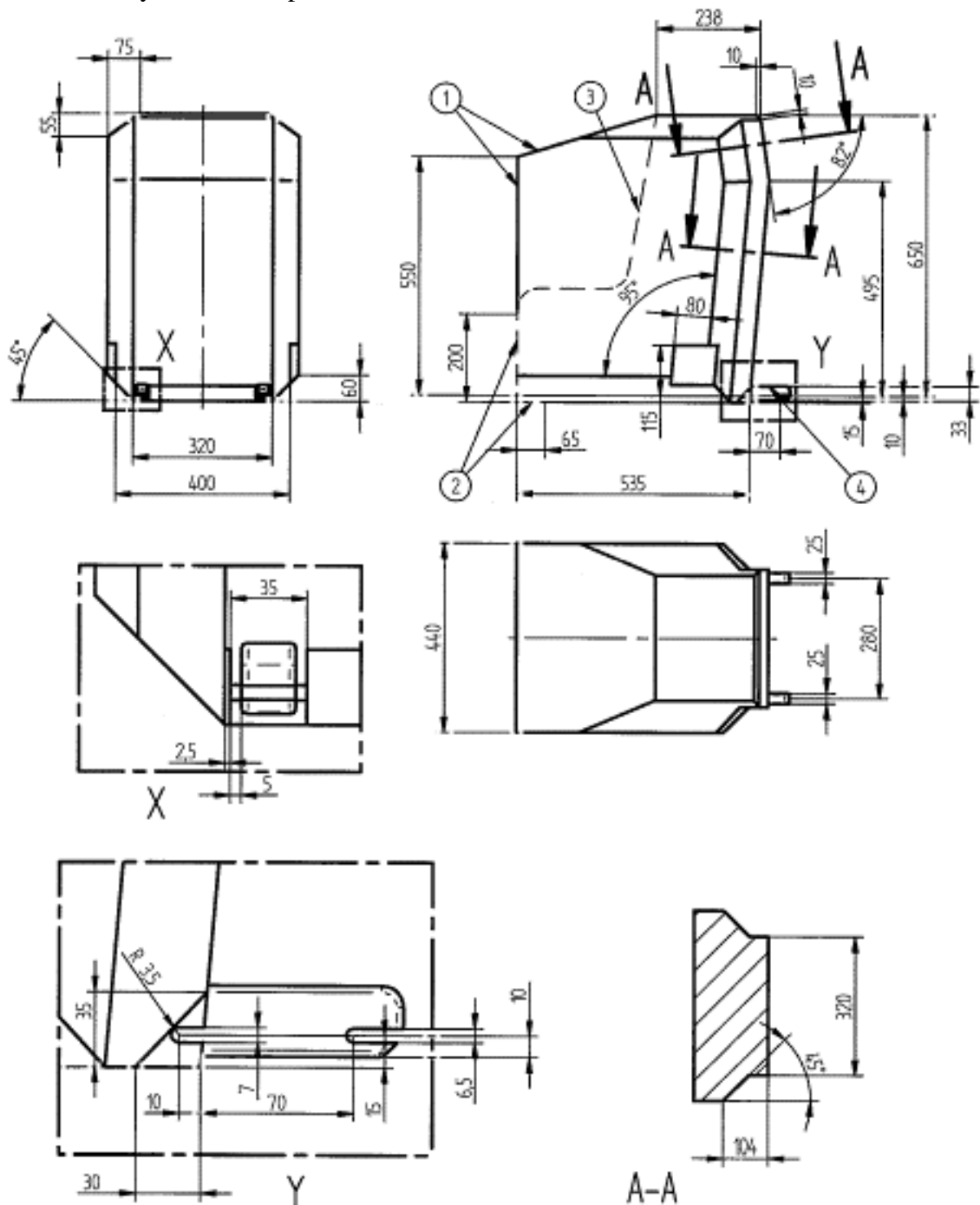


Key

- 1 Limits in the forward and upwards directions
- 2 Dashed line marks area where a support leg, or similar, is allowed to protrude
- 3 N/A
- 4 Further specifications of the connector area are given in Regulation No. 44
- 5 Attachment point for the top tether strap

Figure 2 – ISO/F2 envelope dimensions for a reduced-height forward-facing toddler CRS, (height 650 mm) – ISOFIX SIZE CLASS B

4.3. Reduced-height second version back shape forward-facing toddler child restraint systems envelope

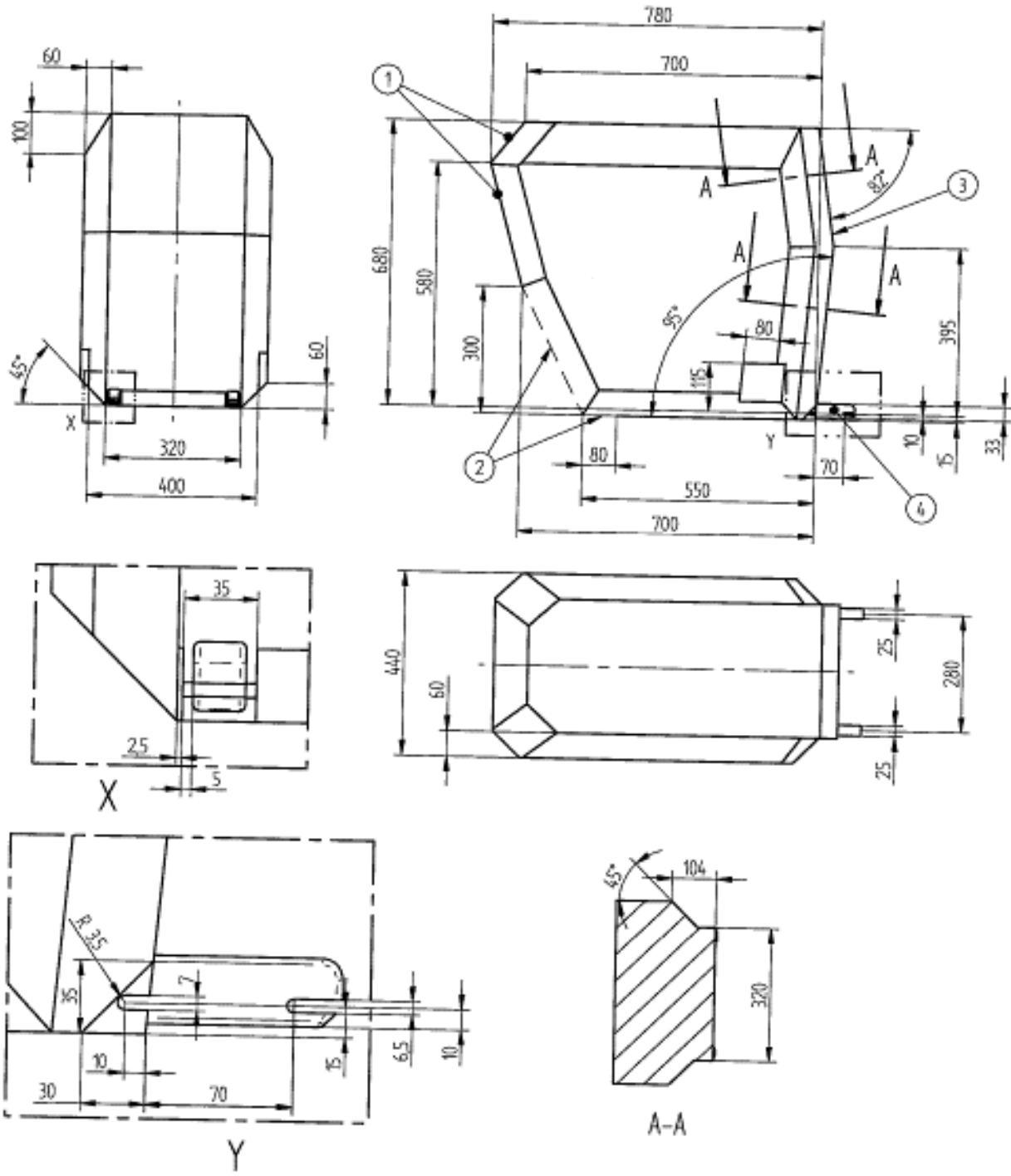


Key

- 1 Limits in the forward and upwards directions
- 2 Dashed line marks area where a support leg, or similar, is allowed to protrude
- 3 N/A
- 4 Further specifications of the connector area are given in Regulation No. 44

Figure 3 – ISO/F2X envelope dimensions for a reduced-height second version back surface shape forward-facing toddler CRS, (height 650 mm) – ISOFIX SIZE CLASS B1

4.4. Full-size rearward facing toddler child restraint system envelope

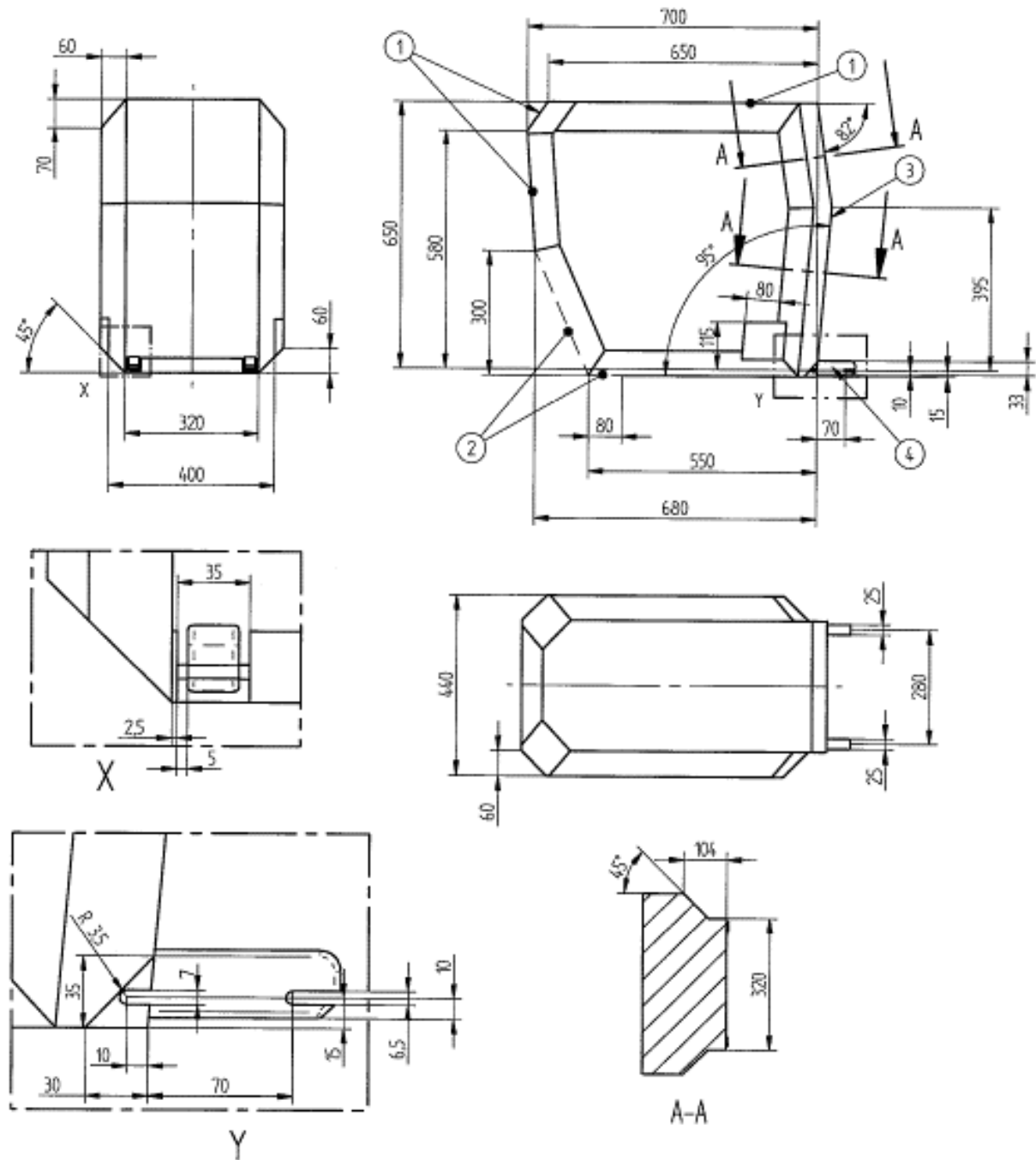


Key

- 1 Limits in the rearward and upwards directions
- 2 Dashed line marks area where a support leg, or similar, is allowed to protrude
- 3 The backwards limitation (to the right in the figure) is given by the forward-facing envelope in Figure 2
- 4 Further specifications of the connector area are given in Regulation No. 44

Figure 4 – ISO/R3 envelope dimensions for a full-size rearward-facing toddler CRS – ISOFIX SIZE CLASS C

4.5. Reduced-size rearward-facing toddler child restraint systems envelope

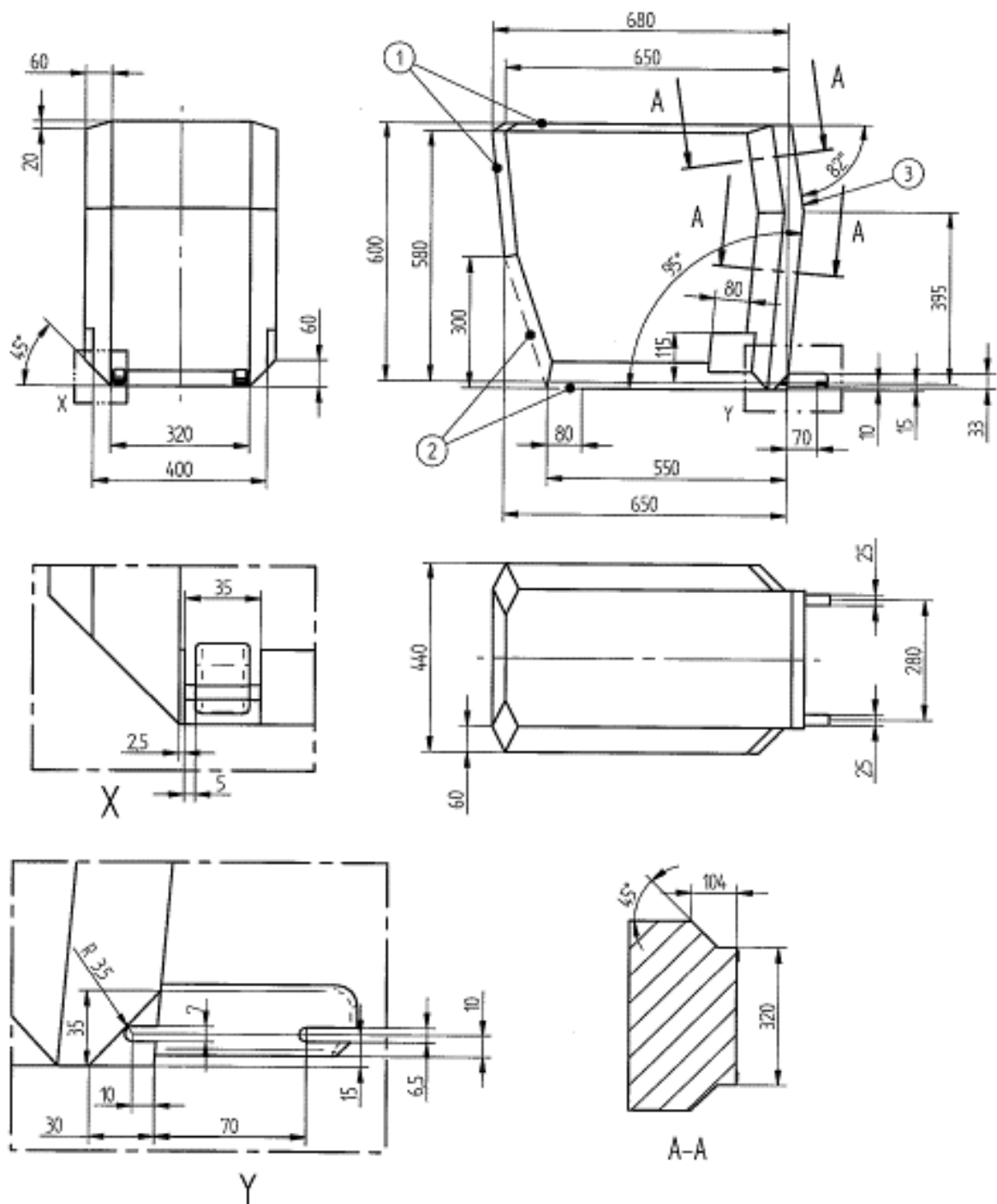


Key

- 1 Limits in the rearward and upwards directions
- 2 Dashed line marks area where a support leg, or similar, is allowed to protrude
- 3 The backwards limitation (to the right in the figure) is given by the forward-facing envelope in Figure 2
- 4 Further specifications of the connector area are given in Regulation No. 44

Figure 5 – ISO/R2 envelope dimensions for a reduced-size rearward-facing toddler CRS – ISOFIX SIZE CLASS D

4.6. Rearward facing infant child restraint systems envelope

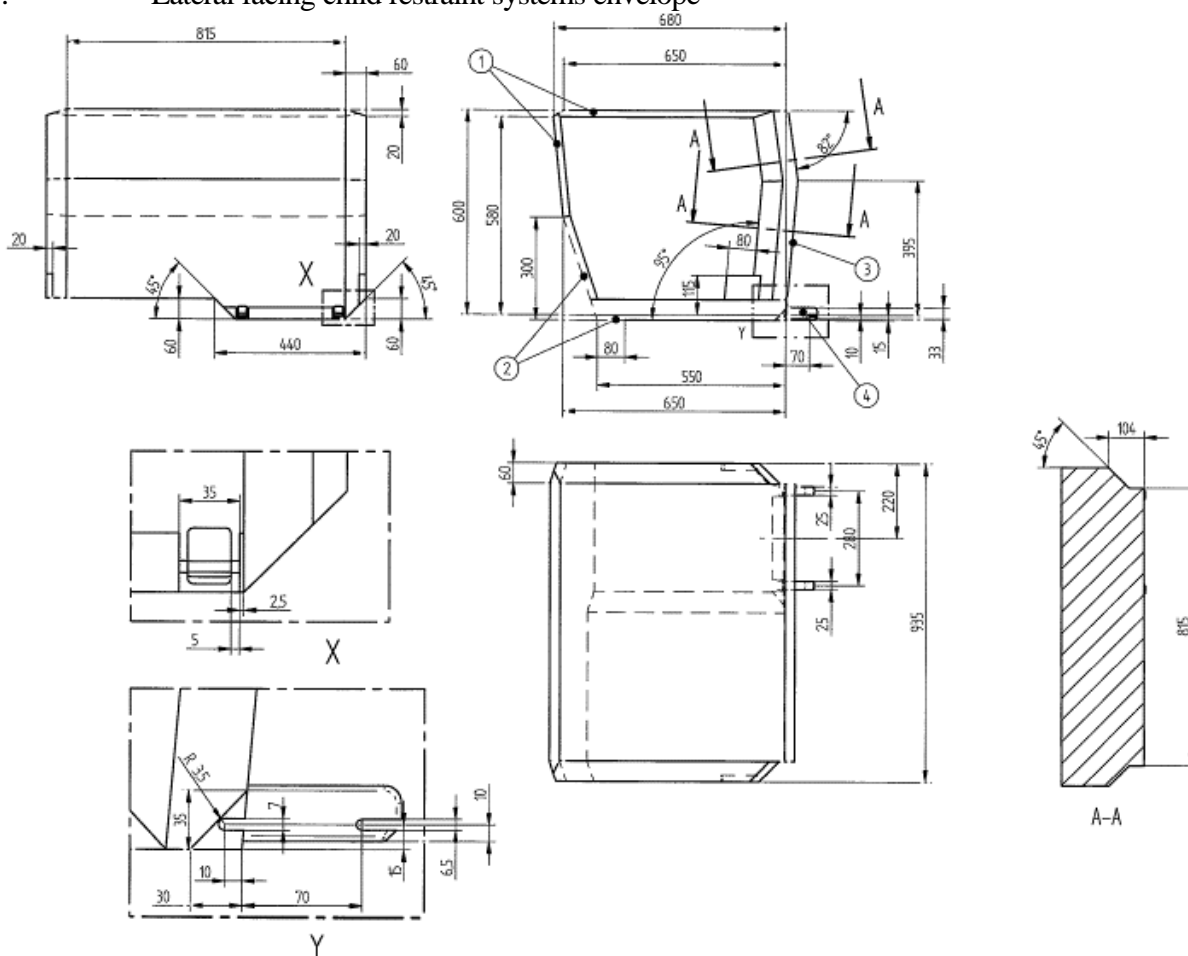


Key

- 1 Limits in the rearward and upward directions
- 2 Dashed line marks area where a support leg, or similar, is allowed to protrude
- 3 The backwards limitation (to the right in the figure) is given by the forward-facing envelope in Figure 2
- 4 Further specifications of the connector area are given in Regulation No. 44

Figure 6 – ISO/R1 envelope dimensions for an infant-size rearward-facing CRS – ISOFIX SIZE CLASS E

## 4.7. Lateral facing child restraint systems envelope



## Key

- 1 Limits in the rearward and upward directions
- 2 Dashed line marks area where a support leg, or similar, is allowed to protrude
- 3 The backward limitation (to the right in the figure) is given by the forward-facing envelope in Figure 2
- 4 Further specifications of the connector area are given in ISO 13216-1, Figures 2 and 3

**Figure 7** – Envelope dimensions for lateral facing position CRS - ISO/L1- ISOFIX SIZE CLASS F or symmetrically opposite – ISO/L2 – ISOFIX CLASS G"

\* \* \* \*

## B. JUSTIFICATION

As announced during the one-hundred-and-thirty-third session of WP.29 (TRANS/WP.29/1016, para. 46), some incompatibilities were discovered between the vehicles and the ISOFIX test fixtures defined in Supplement 15 to the 04 series of amendments to Regulation No. 16 (documents TRANS/WP.29/932 and TRANS/WP.29/963).



Consequently, OICA and CLEPA experts jointly developed this proposal to revise the currently defined test fixtures in order to minimize as much as possible incompatibilities between vehicles and the test fixtures.

This would indeed improve safety by ensuring a better compatibility between vehicles and child restraint systems.

Since ISOFIX child restraint systems currently undergoing the approval process are found to be compatible with this proposal, it is suggested to use the administrative process of a "Corrigendum", thereby ensuring that these new fixtures become applicable as from the dates foreseen in Supplement 15 to the 04 series of amendments to Regulation No. 16.

---