

10 September 2003

AGREEMENT

CONCERNING THE ADOPTION OF UNIFORM TECHNICAL PRESCRIPTIONS FOR WHEELED VEHICLES, EQUIPMENT AND PARTS WHICH CAN BE FITTED AND/OR BE USED ON WHEELED VEHICLES AND THE CONDITIONS FOR RECIPROCAL RECOGNITION OF APPROVALS GRANTED ON THE BASIS OF THESE PRESCRIPTIONS */

(Revision 2, including the amendments which entered into force on 16 October 1995)

Addendum 66: Regulation No. 67

Revision 1 - Amendment 2

Supplement 2 to the 01 series of amendments - Date of entry into force: 16 July 2003

UNIFORM PROVISIONS CONCERNING:

- I. APPROVAL OF SPECIFIC EQUIPMENT OF MOTOR VEHICLES
USING LIQUEFIED PETROLEUM GASES IN THEIR PROPULSION SYSTEM**
- II. APPROVAL OF A VEHICLE FITTED WITH SPECIFIC EQUIPMENT
FOR THE USE OF LIQUEFIED PETROLEUM GASES IN ITS PROPULSION
SYSTEM WITH REGARD TO THE INSTALLATION OF SUCH EQUIPMENT**



UNITED NATIONS

*/ Former title of the Agreement:

Agreement Concerning the Adoption of Uniform Conditions of Approval and Reciprocal Recognition of Approval for Motor Vehicle Equipment and Parts, done at Geneva on 20 March 1958.

GE.03-23758

Insert new paragraphs 2.3.2. and 2.3.3., to read:

- "2.3.2. "All-composite container" means a container made only of composite materials with a non metallic liner.
- 2.3.3. "Batch of containers" means a maximum of 200 containers of the same type produced consecutively on the same production line."

Paragraph 2.4., items (e) and (f) amend to read ,

"...

- (e) the welding process (in case of metal containers),
- (f) the heat treatment (in case of metal containers),

..."

Paragraph 6.15.1.3., amend to read:

" ... that limits the filling at 80 per cent +0/-5 per cent of the capacity of the container, for which the 80 per cent stop valve is designed, shall withstand a pressure not exceed 500 cm³/minute. The valve must be tested with all the containers on which it is intended to be fitted or the manufacturer must declare by calculation for which containers types this valve is suitable."

Paragraph 6.15.4.1., add at the end:

".... exchange medium. The material shall meet the prescriptions laid down in annex 15, paragraph 17."

Paragraph 6.15.11.1., amend to read:

" the electric power connections should meet IP54 specifications according to IEC EN 60529:1997-06."

Annex 3,

Paragraph 2.6., amend to read:

"
Resistance to dry heat
..... "

Annex 15, para. 13 **/

Paragraph 3.6., amend to read:

"
Endurance Annex 15, para. 9
(with 200 operation cycles)
.....
Resistance to dry heat Annex 15, para. 13 **/
..... "

Paragraphs 4.6. and 5.6., amend to read:

"
Resistance to dry heat Annex 15, para. 13 **/
..... "

Paragraph 7.6., delete the words reading "Endurance Annex 10, para. 2.7.", and amend to read:

"
Resistance to dry heat Annex 15, para. 13 **/
..... "

Annex 4, paragraph 6.2.,
Annex 5, paragraph 6.1. and
Annex 6, paragraph 6.1., amend to read:

"
Resistance to dry heat Annex 15, para. 13 **/
..... "

Annex 7,

Paragraphs 1.6. and 2.6., amend to read:

"
Resistance to dry heat Annex 15, para. 13 **/
..... "

Paragraph 3.6., amend to read:

"
Endurance Annex 15, para. 9
(with 200 operation cycles)
.....
Resistance to dry heat Annex 15, para. 13 **/
..... "

Paragraph 4.6., amend to read:

"
Resistance to dry heat Annex 15, para. 13 **/
..... "

Annex 8.

Paragraph 1.6.2.2., amend to read:

"1.6.2.2 The sealing cone of swivel-nut type must be of the type with a half vertical angle of 45°."

Insert new paragraphs 1.6.2.3. and 1.6.2.4., to read:

"1.6.2.3. The couplings can be made as swivel-nut type or as quick-connector type.

1.6.2.4. It shall be impossible to disconnect the quick-connector type without specific measures or the use of dedicated tools."

Insert new paragraphs 2.6.4. and 2.6.5., to read:

"2.6.4. The couplings can be made as swivel-nut type or as quick-connector type.

2.6.5. It shall be impossible to disconnect the quick-connector type without specific measures or the use of dedicated tools."

Paragraph 3.3.2.3., correct the reference to "paragraph 3.3.1.1." to read "paragraph 3.3.2.1."

Annex 9, paragraph 5., delete the reference to paragraph "6.15.9. Non return valve"

Annex 10.

Insert a new paragraph 1.1., to read:

"1.1. **Cylinders covered by this annex are as follows:**

LPG-1 Metal containers
LPG-4 All-Composite containers."

Paragraph 1.1. (former), renumber as paragraph 1.2.

Paragraphs 1.2. to 1.2.3., renumber as paragraphs 1.3. to 1.3.3.

Paragraph 1.2.4., renumber as paragraph 1.3.4., and amend to read:

"1.3.4. The filler materials must be compatible with the parent material so as to form welds with properties equivalent to those specified for the parent material (EN 288 – 3)."

Paragraph 1.2.5., renumber as paragraph 1.3.5., and amend to read:

"1.3.5. The container manufacturer must obtain and provide:

- (a) for metal containers: chemical cast analysis certificates;
- (a) for all-composite containers: chemical resistance analysis certificates related to tests performed according to the requirements of appendix 6;
- (c) mechanical properties of the material in respect of the steels or other materials applied for the construction of the parts subject to pressure."

Paragraphs 1.2.6. to 1.3.2., renumber as paragraphs 1.3.6. to 1.4.2.

Paragraph 1.4., renumber as paragraph 1.5., and amend to read:

"1.5. **The heat treatment procedures, on metal containers only, shall be according to the following requirements:**"

Paragraphs 1.4.1. to 1.5., renumber as paragraphs 1.5.1. to 1.6.

Insert a new paragraph 1.6.1., to read:

"1.6.1. Calculation of the parts under pressure for metal containers."

Paragraph 1.5.1. (former), renumber as paragraph 1.6.1.1.

Paragraphs 1.5.1.1. and 1.5.1.2., renumber as paragraphs 1.6.1.1.1. and 1.6.1.1.2.

Paragraph 1.5.2., renumber as paragraph 1.6.1.2.

Paragraphs 1.5.2.1. to 1.5.2.3., renumber as paragraph 1.6.1.2.1. to 1.6.1.2.3.

Paragraphs 1.5.3. and 1.5.4., renumber as paragraph 1.6.1.3. and 1.6.1.4.

Insert a new paragraph 1.6.2. , to read:

"1.6.2. Calculation of the parts under pressure for all-composite containers

The stresses in the container shall be calculated for each container type. The pressures used for these calculations shall be the design pressure and burst test pressure. The calculations shall use suitable analysis techniques to establish stress distribution throughout the container."

Paragraph 1.6. to 1.6.1.1., renumber as paragraphs 1.7. to 1.7.1.1.

Paragraph 1.6.1.2., renumber as paragraph 1.7.1.2., and amend to read:

"1.7.1.2. The manufacturer must ensure through adequate supervision that the parent materials and pressed parts used to manufacture the containers are free from defects likely to jeopardize the safe use of the containers."

Paragraphs 1.6.2. to 1.6.3., renumber as paragraphs 1.7.2 to 1.7.3.

Paragraph 1.6.3.1., renumber as paragraph 1.7.3.1., and amend to read:

"1.7.3.1. The supports must be manufactured and attached to the container body in such a way as not to cause dangerous concentrations of stresses or be conducive to the collection of water."

Paragraphs 1.6.3.2. to 1.6.4.1., renumber as paragraphs 1.7.3.2 to 1.7.4.1.

Paragraph 2., amend to read:

"2. **TESTS**

Tables 1 and 2 below give an overview of the tests to be performed on the LPG containers on prototypes as well as during the production process according to their nature. All tests shall be performed at ambient temperature of $20\text{ °C} \pm 5\text{ °C}$, unless otherwise stated.

Table 1 — Overview of tests to be performed on metal containers

| Test to be performed | Production Batch tests | Number of containers to be tested for type approval | Test description |
|---|-------------------------------|--|-------------------------|
| Tensile test | 1 per batch | 2 <u>1/</u> | See para. 2.1.2.2. |
| Bend test | 1 per batch | 2 <u>1/</u> | See para. 2.1.2.3. |
| Burst test | | 2 | See para. 2.2. |
| Hydraulic test | Each container | 100 % | See para. 2.3. |
| Bonfire test | | 1 | See para. 2.6. |
| Radiographic examination | 1 per batch | 100 % | See para. 2.4.1. |
| Macroscopic examination | 1 per batch | 2 <u>1/</u> | See para. 2.4.2. |
| Inspection of welds | 1 per batch | 100 % | See para. 1.7.2.3. |
| Visual inspection of the parts of the container | 1 per batch | 100 % | |

1/: These test pieces can be taken from one container

Note 1: 6 containers shall be submitted for type approval.

Note 2: On one of these prototypes the volume of the container and the wall thickness of each part of the container shall be determined.

Table 2 — Overview of tests to be performed on all-composite containers

| Test to be performed | Production Batch tests | Number of containers to be tested for type approval | Test description |
|---|------------------------|---|--------------------|
| Burst test | 1 per batch | 3 | See para. 2.2. |
| Hydraulic test | Each container | All containers | See para. 2.3. |
| Ambient temperature pressure cycling test | 1 per 5 batches | 3 | See para. 2.3.6.1. |
| High temperature pressure cycling test | | 1 | See para. 2.3.6.2. |
| External leak test | | 1 | See para. 2.3.6.3. |
| Permeation test | | 1 | See para. 2.3.6.4. |
| LPG cycling test | | 1 | See para. 2.3.6.5. |
| High temperature creep test | | 1 | See para. 2.3.6.6. |
| Bonfire test | | 1 | See para. 2.6. |
| Impact test | | 1 | See para. 2.7. |
| Drop test | | 1 | See para. 2.8. |
| Boss torque test | | 1 | See para. 2.9. |
| Acid environment test | | 1 | See para. 2.10. |
| Ultra-violet radiation test | | 1 | See para. 2.11. |

"

Paragraph 2.1.1.1., amend to read:

"2.1.1.1. Frequency of the mechanical tests

2.1.1.1.1. The frequency of the tests for metal containers shall be: 1 container from each batch during production and for type testing, see Table 1.

Test pieces which are not flat shall be flattened by a cold process.

In test pieces containing a weld, the weld shall be machined to trim the surplus.

Metal containers shall be subjected to the tests as described in Table 1.

Test pieces from containers with one circumferential weld only (two sections) shall be taken from the places shown in appendix 2, Figure 1.

Test pieces from containers with longitudinal and circumferential welds (three or more sections) shall be taken from the places shown in appendix 2, Figure 2.

- 2.1.1.1.2. The frequency of the tests for all-composite containers shall be:
- (a) During production: 1 container from each batch
 - (b) For type testing, see Table 2"

Paragraphs 2.1.2.2.1.1. and 2.1.2.2.1.2., amend to read:

"2.1.2.2.1.1. The tensile test shall be carried out in accordance with Euronorms EN 876, EN 895 and EN 10002-1.

2.1.2.2.1.2. The values determined for yield stress, tensile strength and elongation after break must comply with the characteristics of the metal as required in paragraph 1.3 of this annex."

Paragraph 2.1.2.2.2., amend to read:

"2.1.2.2.2. The tensile strength value obtained must meet the minimum levels required by EN 10120."

Paragraph 2.1.2.3.1. , amend to read:

"2.1.2.3.1. The bend test shall be carried out in accordance with standards ISO 7438:2000 and ISO 7799:2000 and Euronorm EN 910 for welded parts.
The bend tests shall be carried out on the inner surface in tension and the outer surface in tension."

Insert a new paragraph 2.1.2.4., to read:

"2.1.2.4. Retesting for the tensile and bend tests."

Paragraph 2.1.2.4. (former), renumber as paragraph 2.1.2.4.1.

Paragraphs 2.2.2. to 2.2.2.1.2., replace by the following text (paragraphs 2.2.2. to 2.2.2.1.3.):

"2.2.2. **Test interpretation**

2.2.2.1. The criteria adopted for the interpretation of the burst test are as follows:

2.2.2.1.1. Volumetric expansion of the metal container; it equals: volume of water used between the time when the pressure starts to rise and the time of bursting;

2.2.2.1.2. Examination of the tear and the shape of its edges.

2.2.2.1.3. Bursting pressure."

Paragraph 2.2.3.2., amend the word "container" to read "metal container"
(4-times).

Paragraph 2.2.3.3.2. amend to read:

"2.2.3.3.2. For metal containers the fracture must not reveal an inherent defect in the metal.
The weld must be at least as strong as the original metal but preferably stronger.

For all-composite containers, the fracture shall not reveal any defects in the structure."

Paragraph 2.2.3.4., amend to read:

"2.2.3.4. Retesting for the burst test
Retesting is permitted for"

Insert new paragraphs 2.3.6. to 2.3.6.6.4., to read:

"2.3.6. **Additional hydraulic tests to be performed on all-composite containers**

2.3.6.1. Ambient temperature pressure cycling test

2.3.6.1.1. Test procedure

The finished container shall be pressure cycled to a maximum of 20,000 cycles, according to the following procedure:

- (a) fill the container to be tested with a non-corrosive fluid such as oil, inhibited water or glycol;
- (b) cycle the pressure in the container between not more than 300 kPa and not less than 3,000 kPa at a rate not to exceed 10 cycles per minutes.
This cycle shall be performed at least 10,000 times and continued until 20,000 times unless a leak before break appears;
- (c) the number of cycles to failure shall be reported, along with the location and description of the failure initiation.

2.3.6.1.2. Test interpretation

Before reaching 10,000 cycles, the container shall not fail or leak.
After completing 10,000 cycles, the container may leak before break.

2.3.6.1.3. Retesting

Retesting is permitted for the ambient temperature pressure cycling test.

A second test shall be performed on two containers which have been produced successively to the first container within the same batch.

If the results of these tests are satisfactory, the first test shall be ignored.

In the event where one or both of the retests fail to meet the requirements, the batch shall be rejected.

2.3.6.2. High temperature pressure cycling test

2.3.6.2.1. Test procedure

Finished containers shall be cycle tested, without showing evidence of rupture, leakage, or fibre unravelling, as follows:

- (a) Fill the container to be tested with a non-corrosive fluid such as oil, inhibited water or glycol;
- (b) Condition for 48 hours at 0 kPa, 65 °C, and 95 per cent or greater relative humidity.
- (c) Hydrostatically pressurize for 3,600 cycles not exceeding 10 cycles per minute, between not more than 300 kPa and not less than 3,000 kPa at 65 °C and 95 per cent humidity;

Following the pressure cycling at high temperature, containers shall be submitted to the external leak test and then hydrostatically pressurized to failure in accordance with the burst test procedure.

2.3.6.2.2. Retesting

Retesting is permitted for the high temperature pressure cycling test.

A second test shall be performed on two containers which have been produced successively to the first container within the same batch.

If the results of these tests are satisfactory, the first test shall be ignored.

In the event where one or both of the retests fail to meet the requirements, the batch shall be rejected.

2.3.6.3. External leak test

2.3.6.3.1. Test procedure

While under 3,000 kPa pressure, the container shall be submerged in soapy water to detect leakage (bubble test).

2.3.6.3.2. Test interpretation

The container shall not show any leakage.

2.3.6.3.3. Retesting

Retesting is permitted for the external leak test.

A second test shall be performed on two containers which have been produced successively to the first container within the same batch.

If the results of these tests are satisfactory, the first test shall be ignored. In the event where one or both of the retests fail to meet the requirements, the batch shall be rejected.

2.3.6.4. Permeation test

2.3.6.4.1. Test procedure

All the tests shall be performed at 40°C on a container fuelled with commercial propane at 80 per cent of its water capacity.

The test shall be held during at least 8 weeks until the steady state permeation of the structure is observed during at least 500 hours.

Then, the rate of the container weight loss shall be measured.

The graph of mass change per number of days shall be recorded.

2.3.6.4.2. Test interpretation

The rate of mass loss shall be less than 0.15 g/hour.

2.3.6.4.3. Retesting

Retesting is permitted for the permeation test.

A second test shall be performed on two containers which have been produced successively to the first container within the same batch.

If the results of these tests are satisfactory, the first test shall be ignored. In the event where one or both of the retests fail to meet the requirements, the batch shall be rejected.

2.3.6.5. LPG cycling test

2.3.6.5.1. Test procedure

A container having successfully passed the permeation test shall be submitted to an ambient temperature pressure cycling test according to the requirements of paragraph 2.3.6.1. of this annex.

The container shall be sectioned and the liner / end boss interface shall be inspected.

2.3.6.5.2. Test interpretation

The container shall comply with the ambient temperature pressure cycling test requirements.

Inspection of the liner / end boss interface of the container shall not reveal any evidence of deterioration, such as fatigue cracking or electrostatic discharge.

2.3.6.5.3. Retesting

Retesting is permitted for the LPG cycling test.

A second test shall be performed on two containers which have been produced successively to the first container within the same batch.

If the results of these tests are satisfactory, the first test shall be ignored.

In the event where one or both of the retests fail to meet the requirements, the batch shall be rejected.

2.3.6.6. High temperature creep test

2.3.6.6.1. General

This test shall only be performed on all-composite containers with a resin matrix having a glass transition temperature (T_G) below the design temperature + 50 °C.

2.3.6.6.2. Test procedure

One finished container shall be tested as follows:

- (a) The container shall be pressurized to 3,000 kPa and held at a temperature defined according the table on the basis of the test period duration:

Table 3: Test temperature relating to the High temperature creep test duration

| T (°C) | Exposure time (h) |
|--------|-------------------|
| 100 | 200 |
| 95 | 350 |
| 90 | 600 |
| 85 | 1000 |
| 80 | 1800 |
| 75 | 3200 |
| 70 | 5900 |
| 65 | 11000 |
| 60 | 21000 |

- (b) The container shall be submitted to an external leak test.

2.3.6.6.3. Test interpretation

The maximum allowed volume increase is 5 per cent. The container shall meet the requirements of the external leak test as defined in paragraph 2.4.3. of this annex and the burst test as defined in paragraph 2.2. of this annex.

2.3.6.6.4. Retesting

Retesting is permitted for the high temperature creep test. A second test shall be performed on two containers which have been produced successively to the first container within the same batch.

If the results of these tests are satisfactory, the first test shall be ignored.

In the event where one or both of the retests fail to meet the requirements, the batch shall be rejected.”

Paragraph 2.5., amend to read:

"2.5. **Examination on the outside of the weld for metal containers.**"

Paragraph 2.6.4., insert new item (e) to read:

"

(e) The pressure inside the container.

Metallic shielding shall be used"

Paragraph 2.6.7., amend to read:

"2.6.7. Acceptable results:

The LPG in metal containers shall vent through a pressure relief device, and no burst shall occur.

The LPG in all-composite containers may vent through a pressure relief device and/or may vent through the container wall or other surfaces, and no burst shall occur."

Insert paragraphs 2.7. to 2.11.3., to read:

"2.7. **Impact test**

2.7.1. General

At the choice of the manufacturer, all the impact tests may be carried out on one container or each may be carried out on a different container.

2.7.2. Test procedure

For this test, the fluid medium shall be water/glycol mixture or another liquid having a low freezing point which does not change the properties of the container material.

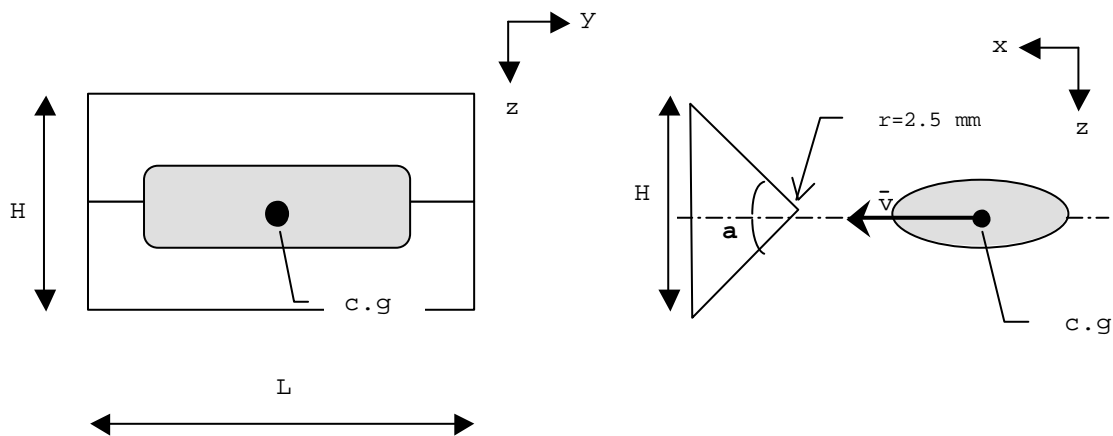
A container filled with the fluid medium to the weight that equals the filling with 80 per cent of LPG with a reference mass of 0.568 kg/l, is projected, parallel to the length axle (x-axis in Figure 1) of the vehicle in which it is intended to be fitted at a velocity, V of 50 km/h, against a solid wedge, fixed horizontally, perpendicular to the movement of the container.

The wedge shall be installed so that the centre of gravity (c.g.) of the container hits the centre of the wedge.

The wedge shall have an angle α of 90 degrees and the point of impact shall be rounded with a maximum radius of 2.5 mm.

The length of the wedge L , shall be at least equal to the width of the container in respect to its movement during the test. The height H of the wedge shall be at least 600 millimetres

Figure 1 - description of the impact test procedure:



Note: c.g. = center of gravity

In the case where a container can be installed in more than one position in the vehicle, each position shall be tested.

After this test, the container shall be submitted to an external leak test as defined in paragraph 2.3.6.3. of this annex.

2.7.3. Test interpretation

The container shall comply with the external leak test requirements as defined in paragraph 2.3.6.3. of this annex.

2.7.4. Retesting

Retesting is permitted for the impact test.

A second test shall be performed on two containers which have been produced successively to the first container within the same batch.

If the results of these tests are satisfactory, the first test shall be ignored. In the event where one or both of the retests fail to meet the requirements, the batch shall be rejected.

2.8. **Drop Test**

2.8.1. Test procedure

One finished container shall be drop tested at ambient temperature without internal pressurization or attached valves. The surface onto which the containers are dropped shall be a smooth, horizontal concrete pad or flooring.

The drop height (Hd) shall be 2 m (measured to the lowest point of the container).

The same empty container shall be dropped:

- in a horizontal position,
- vertically on each end,
- at an angle of 45°.

Following the drop test, the containers shall be submitted to an ambient temperature pressure cycling test according the requirements of paragraph 2.3.6.1. of this annex.

2.8.2. Test interpretation

The containers shall comply with the requirements of the ambient temperature pressure cycling test according the requirements of paragraph 2.3.6.1. of this annex.

2.8.3. Retesting

Retesting is permitted for the drop test.

A second test shall be performed on two containers which have been produced successively to the first container within the same batch.

If the results of these tests are satisfactory, the first test shall be ignored.

In the event where one or both of the retests fail to meet the requirements, the batch shall be rejected.

2.9. **Boss torque test**

2.9.1. Test procedure

The body of the container shall be restrained against rotation and a torque of 2 times the valve or PRD installation torque specified by the manufacturer shall be applied to each end boss of the container, first in the direction to tighten a

threaded connection, then in the untightening direction, and finally again in the tightening direction.

The container shall then be subjected to an external leak test in accordance with the requirements shown in paragraph 2.3.6.3 of this annex.

2.9.2. Test interpretation

The container shall comply with the requirements of the external leak test as shown in paragraph 2.3.6.3. of this annex.

2.9.3. Retesting

Retesting is permitted for the boss torque test.

A second test shall be performed on two containers which have been produced successively to the first container within the same batch.

If the results of these tests are satisfactory, the first test shall be ignored.

In the event where one or both of the retests fail to meet the requirements, the batch shall be rejected.

2.10. **Acid environment test**

2.10.1. Test procedure

A finished container shall be exposed for 100 hours to a 30 per cent sulphuric acid solution (battery acid with specific gravity of 1.219) while pressurized to 3,000 kPa. During the test, a minimum of 20 per cent of the total area of the container has to be covered by the sulphuric acid solution.

Then, the container shall be submitted to a burst test as defined in paragraph 2.2. of this annex.

2.10.2. Test interpretation

The burst pressure measured shall be at least 85 per cent of the container burst pressure.

2.10.3. Retesting

Retesting is permitted for the acid environment test.

A second test shall be performed on two containers which have been produced successively to the first container within the same batch.

If the results of these tests are satisfactory, the first test shall be ignored.

In the event where one or both of the retests fail to meet the requirements, the batch shall be rejected.

2.11. **Ultra-violet (UV) test**

2.11.1. Test procedure

When the container is directly subjected to sunlight (also behind glass), UV-radiation might degrade polymeric materials. Therefore, the manufacturer has to prove the ability of the outer layer material to withstand the UV-radiation during his lifetime of 20 years.

- (a) If the outer layer has a mechanical (load carrying) function, the container shall be burst tested according to the requirements of paragraph 2.2 of this annex, after exposing to a representative UV-radiation;
- (b) If the outer layer has a protective function, the manufacturer has to prove that the coating remains integer within 20 years, in order to protect the under-laying structural layers from a representative UV-radiation.

2.11.2. Test interpretation

When the outer layer has a mechanical function, the container shall comply with the burst test requirements as defined in paragraph 2.2 of this annex.

2.11.3. Retesting

Retesting is permitted for the ultra-violet test.

A second test shall be performed on two containers which have been produced successively to the first container within the same batch.

If the results of these tests are satisfactory, the first test shall be ignored.

In the event where one or both of the retests fail to meet the requirements, the batch shall be rejected."

Insert new Annex 10 – Appendix 6, to read:

"Annex 10 – Appendix 6

MATERIAL TEST METHODS

1. Chemical resistance

Materials used in an all-composite container must be tested according to standard ISO 175 for 72 hours at room temperature.

Demonstrating the chemical resistance by using data from literature is also allowed.

Compatibility with the following media shall be checked:

- (a) brake fluid;
- (b) window cleaner;
- (c) cooling liquid;
- (d) non-leaded petrol;
- (e) solution of deionized water, sodium chloride (2.5 % by mass ± 0.1 %), (calcium chloride (2.5 % by mass ± 0.1 %) and sulphuric acid sufficient to achieve a solution of pH 4.0 ± 0.2 .

Test acceptance criteria:

- (a) Elongation:
The elongation of a thermoplastic material, after testing, must be at least 85 per cent of the initial elongation. The elongation of an elastomer, after testing, must be at least larger than 100 per cent.
- (b) For structural components (e.g., fibres):
The residual strength for a structural component after testing must be at least 80 per cent of the original tensile strength.
- (c) Non-structural components (e.g., coating):
There are no visual cracks allowed.

2. Composite structure

- (a) Fibres embedded in a matrix

| | | |
|---------------------|------------|--|
| Tensile properties: | ASTM 3039 | Fiber-resin composites |
| | ASTM D2343 | Glass, Aramid (tens.prop.yarns glass) |

Annex 15,

Table 1,

- (i) add a new "X" to the rows dealing with "Resistance to dry heat" and "Ozone ageing" under Class 3 column.
- (ii) add at the end the following row:

"

| | | | | |
|--|--|---|--|--|
| Compatibility with heat exchange fluid | | X | | |
|--|--|---|--|--|

"

- (iii) delete all footnotes, the relevant references to them in the table and the text following the footnotes themselves up to the end of paragraph 2.

Paragraph 4. Correct the reference to "paragraph 7" to read "paragraph 9."

Paragraph 5.1., add at the end the following sentence:

" The above prescriptions are deemed to be satisfied, if the provisions of paragraph 5.4. are met."

Paragraph 8.4., delete the words "of air".

Paragraph 8.8., correct the pressure value "2,300 kPa" to read "2,600 kPa".

Insert a new paragraph 9.5., to read:

"9.5 Endurance for 80 per cent stop valve

9.5.1 The 80 per cent stop valve shall be capable to withstand 6,000 complete filling cycles to the maximum filling degree."

Paragraph 10.3.1., amend to read:

" of 20, 50 and 80 l/min or to the maximum flow rate under an upstream pressure of 700 kPa abs."

Paragraph 10.5.1., renumber into paragraph 10.4.1.

Paragraphs 10.5.2. to 10.5.7., renumber into paragraphs 10.5.1. to 10.5.6.

Paragraph 12.1., delete the reference to "DIN 50021".

Paragraph 12.2., delete the reference to "DIN 50916".

Add a new paragraph 17., to read:

- "17. **Compatibility with heat exchange fluids of non metallic parts**
- 17.1. Test samples shall be submerged in heat exchange medium for 168 hours at 90 °C; then they shall be dried for 48 hours at a temperature of 40 °C. The composition of the heat exchange medium used for the test is water/ethylene-glycol fluid of 50%/50%.
- 17.2. The test is deemed to be satisfactory if the change in volume is less than 20 per cent, the change in mass is less than 5 per cent, the change in tensile strength is less than – 25 per cent and the change in elongation at break is within – 30 per cent and + 10 per cent."
-